

4-Wire TELEPHONE Set SETEL

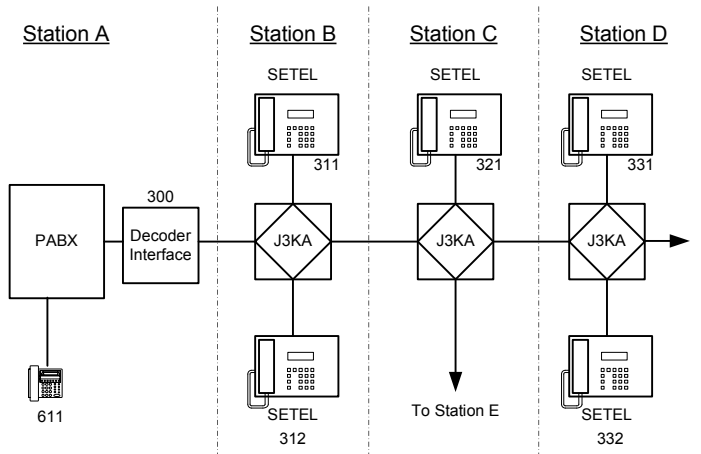
Description

The selective party line telephone set SETEL, with integrated decoder, is used in classical party line networks and as a service telephone in FOX20 / FOX 6Plus and Ascom UMUX communication networks. The SETEL is compatible with existing ABB party line telephone systems.

SETEL combines the functions of a 4-wire telephone set and a DTMF decoder. When used together with the 4-way bridging amplifier (J3KA/ J3BA), a complete party line telephone system can be constructed. The SETEL is controlled and programmed by means of a micro controller. The programmed data is stored in an internal EEPROM. All functions can be programmed with the aid of the dialling key pad and the built-in 12 digit LC-Display. The circuitry contains a DTMF transmitter and receiver as well as a ring back tone and dialling tone generator. The own call number and two group call numbers can be programmed in the SETEL after entering the correct password. It is possible to connect an external bell to the SETEL.

Typical Application

Party Line Telephone System



Ordering Information

Description	Order No.
4-wire selective telephone set SETEL	BCTS1045
External call buzzer	BCTS1045-1



4-WIRE SETEL TELEPHONE



Telecommunications

For further information please contact:

BlueCom AG
Giessenstrasse 15
CH-8953 Dietikon
Tel.: +41 044 748 48 18
Fax: +41 044 748 48 19
E-mail: sales@bluecom.ch
Internet: <http://www.bluecom.ch>