

SETEL-D

System Description



Selective Party Line Telephone Set
with integrated Decoder

Doc.-No.	Revisison	Date
BCTS1047	Rev. 0 Master Edition	3.9.2013

Great care has been taken to ensure that the information contained in this handbook is accurate and complete. Should any errors or omissions be discovered or should any user wish to make a suggestion for improving this handbook, he is invited to send the relevant details to:

BlueCom Ltd.
Giessenstrasse 15
8953 Dietikon
SWITZERLAND

Telephone +41 44 748 48 18
Telefax +41 44 748 48 19
E-mail sales@bluecom.ch
Internet http://www.bluecom.ch

© BlueCom Ltd.
All rights are reserved. Reproduction in whole or in part is prohibited without the written consent of the copyright owner.

Limited Warranty and Warranty Claims

BlueCom AG warrants each new product manufactured and sold by it to be free from defects in material, workmanship and construction, except for batteries, fuses, or other material normally consumed in operation which may be contained therein, for a period of one year after shipment to the original purchaser (which period is referred to as the “warranty period”). This warranty shall not apply if the product is used contrary to the instructions in its manual or is otherwise subjected to misuse, abnormal operation, accident, or repairs or modifications that have not been performed by BlueCom. BlueCom is not responsible for products which it does not manufacture.

BlueCom’s obligation under this warranty is limited to in-factory servicing and repairing, at BlueCom’s option, the product or the component thereof which is found to be defective. If in BlueCom’s judgment the defective condition in a BlueCom product is for a cause listed above for which BlueCom is not responsible, BlueCom will make the repairs or replacement of components and charge its then current price, which buyer agrees to pay.

BlueCom shall not be responsible if the following procedure for warranty claims is not followed. BlueCom shall be notified of the claim with full information as the claimed defect. BlueCom products shall not be returned unless a return authorization number is issued by BlueCom. BlueCom products must be returned with the description of the claim defect and identification of the individual to be contacted if additional information is needed. BlueCom products must be returned properly packed with transportation charge prepaid.

Except for the limited warranty stated above, BlueCom disclaims all warranties of any kind with regard to BlueCom products or other materials provided by BlueCom, including without limitation any implied warranty of merchantability or fitness for a particular purpose. BlueCom shall have no liability or responsibility to the original customer or any other party with respect to any liability, loss or damage caused directly or indirectly by any BlueCom product, material or software sold or provided by BlueCom, BlueCom replacement parts or units, or service provided by BlueCom, including but not limited to any interruption of service, excess charges resulting from malfunctions of hardware or software, loss of business or anticipatory profits resulting from the use or operation of the BlueCom product or software, whatsoever or howsoever caused, and in no event shall BlueCom be liable for any direct, indirect, special or consequential damages whether the claims are grounded in contract, tort (including negligence), or strict liability.

Rights to Software

BlueCom retains ownership of the software supplied with this equipment and all copyrights for the software. This software may be stored in the integrated circuits or in machine or human readable form. BlueCom grants only a non-exclusive license to buyer to use the software solely in connection with the normal and customary use of the equipment supplied to buyer under this order. Buyer agrees not to read out the software from the integrated circuits and disclose or make any use of such software other than the use allowed under this license.

Contents	Page
1 Introduction	5
2 Mode of Operation	6
2.1 Mode 1, Standard Party Line	6
2.2 Mode 2, Connection to a PABX	7
2.3 Mode 3, 4W Remote Subscriber (MUTEL)	7
3 SETEL-D Layout and Keys	8
4 Hardware Block Diagram	10
5 Programming of SETEL-D	11
5.1 Menu Structure	12
5.2 Programming of Function Keys	13
6 Installation	14
6.1 Scope of Supply	14
6.2 Unpacking and Inspection	14
6.3 Installation Recommendations	14
6.4 DC-Power Requirements	14
6.5 External Connections	15
6.6 Connection Diagram	16
6.7 Jumper Settings:	17
6.8 Scope of Supply	Error! Bookmark not defined.
7 Technical Data	19

1 Introduction

The selective party line telephone set with integrated decoder SETEL-D is used in classical party line networks and as a service telephone in digital SDH/PDH communication networks. The SETEL-D is compatible with the former SETEL and existing ABB party line telephone systems.

SETEL-D combines the functions of a 4-wire telephone set and a DTMF decoder. When used together with the 4-way bridging amplifier (J3KA), a complete party line telephone system can be constructed.

The programmed data is stored in an internal SD Memory card inside the SETEL-D. All functions can be programmed with the aid of the dialling key pad and the built-in 20 character by 2 line LC-Display.

The SETEL-D has three main operational modes:

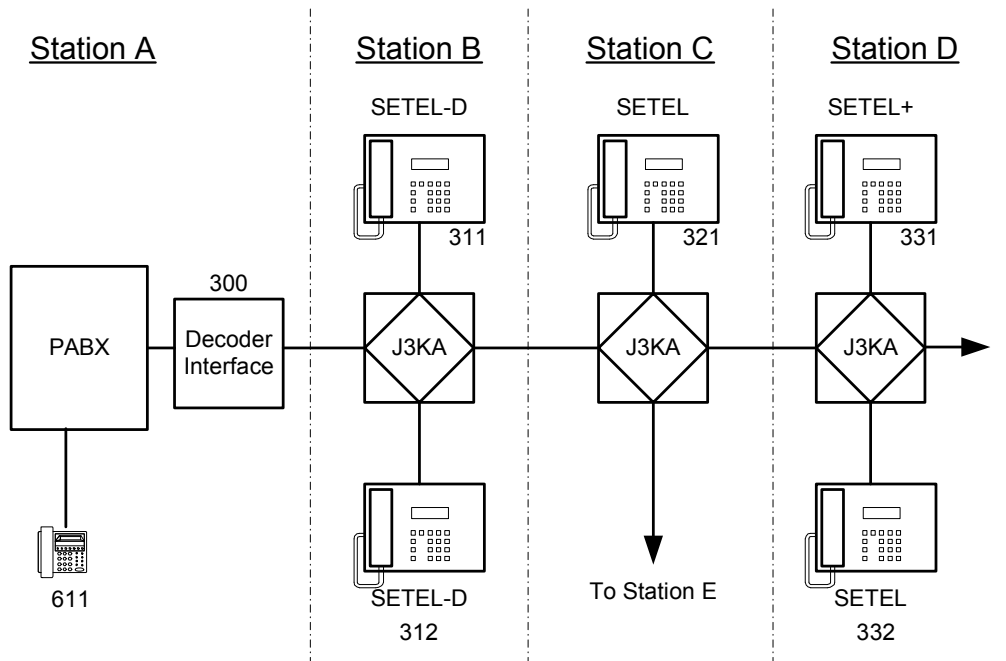
- Mode 1: Standard 4W party line telephone set with DTMF decoder**
- Mode 2: Connection to a 4W E&M PABX (not yet implemented)**
- Mode 3: 4W-telephone set without DTMF decoder (MUTEL Mode)**

2 Mode of Operation

The SETEL-D can be programmed for three different operating modes.

- Mode 1: 4W Party Line Telephone Set with DTMF Decoder
- Mode 2: Connection to PABX
- Mode 3: 4W Remote Subscriber (MUTEL mode)

2.1 Mode 1, Standard Party Line



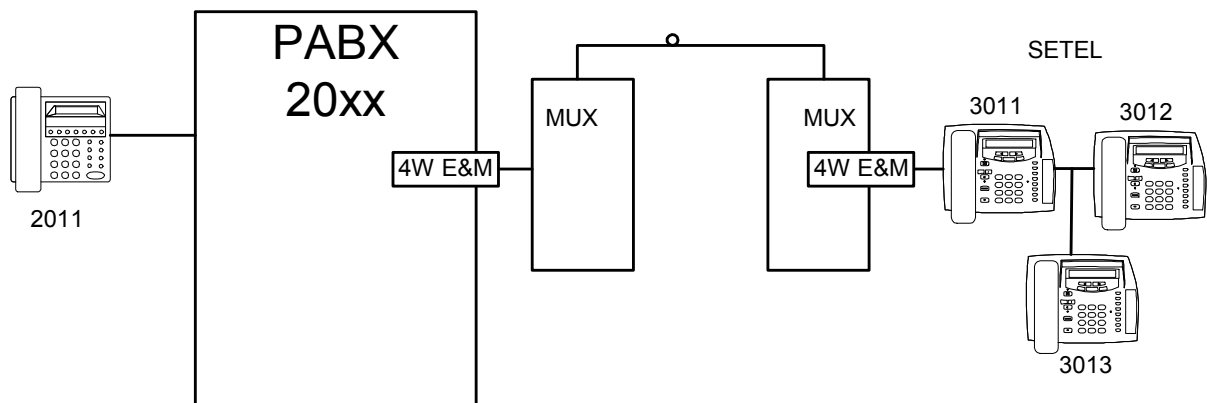
In this application all SETEL-D telephone sets are sharing one analog 4W-voice channel. All SETEL-D telephone sets have to share this voice channel and only one call can be made at the same time. If two SETEL-D sets are communicating with each other and a third party lifting the handset is automatically connected to the call and the new party can take part in the conversation. (listen and talk).

E&M signals are not required for this application.

The SETEL-D is compatible with all ABB Party Line systems and old versions of SETEL.

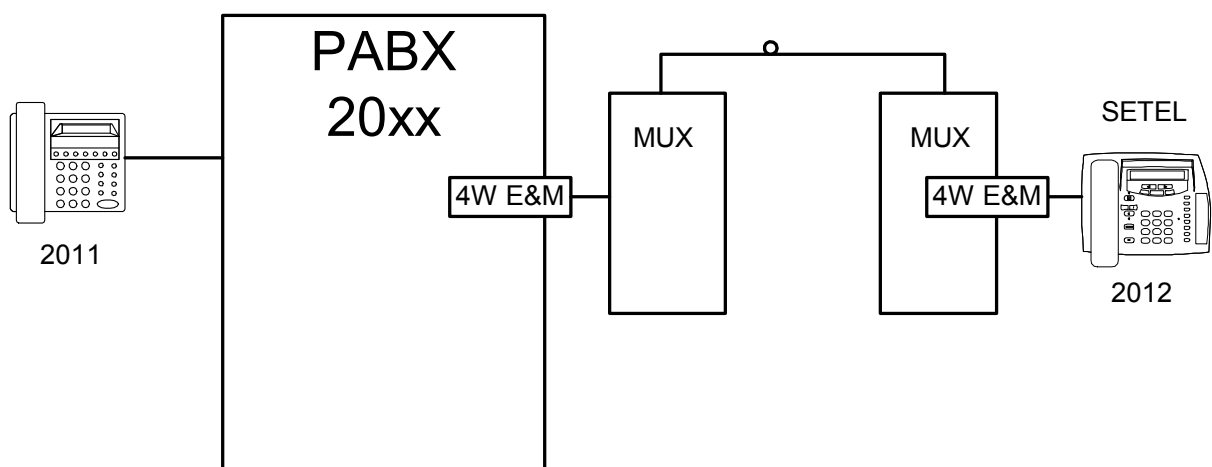
2.2 Mode 2, Connection to a PABX

In this mode the SETEL is acting like a PABX with one 4W E&M Interface. It can be connected to any PABX, who is supporting continuous signalling protocol on the E&M Interface.



In this mode E&M signals have to be used in SETEL 3011. The call progress tones are provided by the SETEL-D. Digits received with pulse dialling will be converted to DTMF tones and will be resend.

2.3 Mode 3, 4W Remote Subscriber (MUTEL)




In the SETEL 2012 the E&M signals have to be used. An incoming call is signalled by activating the E signal on the 4W E&M Interface in the PABX. In this mode the DTMF decoder inside the SETEL is not used. An outgoing call from the SETEL 2012 is signalled by activating the M signal on the SETEL 2012. After that call progress tones will be provided by the PABX.

3 SETEL-D Layout and Keys




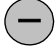

Function Keys

 To program speed dial numbers and special functions


Hands Free

 **Loudspeaker Key** Switch On and Off the hands free mode

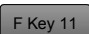
 **Plus/Minus Keys**
Volume adjustments of ring, voice on the loudspeaker and voice in the handset


 **Backward Key**
to move backward in the input menus

 **Forward Key**
to move forward in the input menus


 **ESC Key**
To escape from the menus without saving.

 **ENTER Key**
To confirm and save inputs in the input menus

 **Clear-Key**
To clear or delete values in the input menus

Further Keys

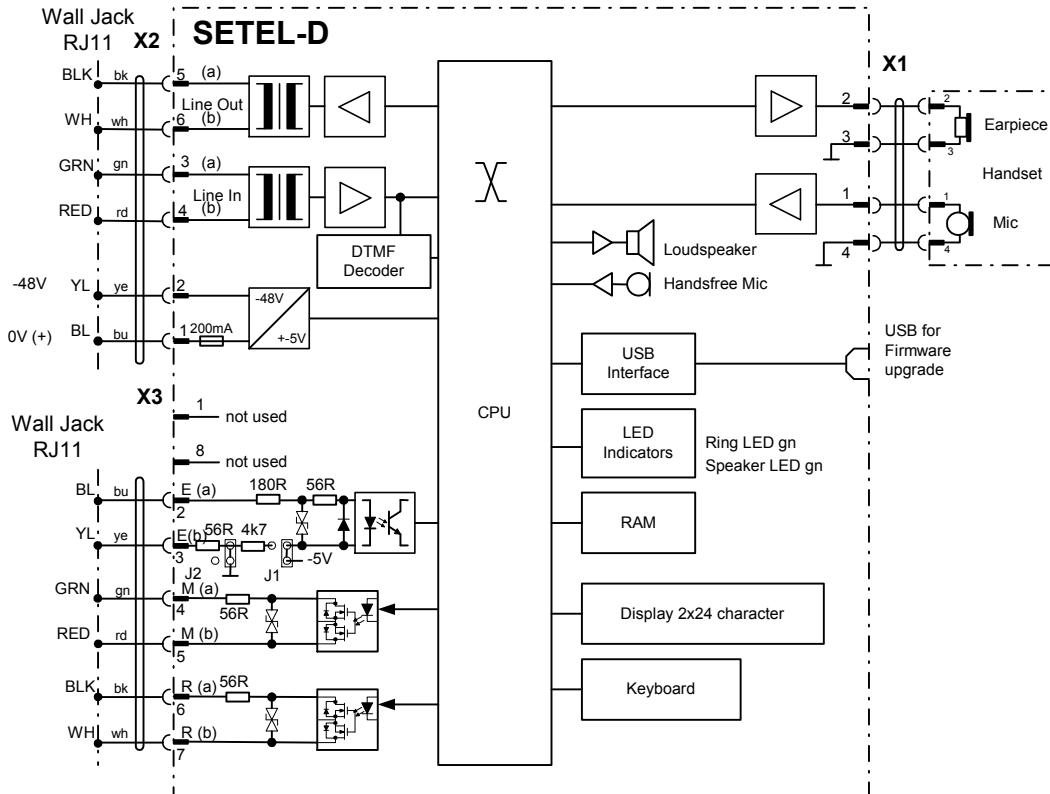
 **Redial Key**
To redial last number dialed

 **Hook Switch and Telephone Directory**
This key is also used to change between numbers, small and capital letters for the text entries.


When entering text the following letters will be displayed depending on the number of times a key has been pressed. The key is used to switch between small and capital letters.

	1x	2x	3x	4x	5x	6x	7x	8x	9x	10x	11x	12x
1	Space	1	€	£	\$	¥	¤					
2	a/A	b/B	c/C	2	ä/Ä							
3	d/D	e/E	f/F	3								
4	g/G	h/H	i/I	4								
5	j/J	k/K	l/L	5								
6	m/M	n/N	o/O	6	ö/Ö							
7	p/P	q/Q	r/R	s/S	7							
8	t/T	u/U	v/V	8	ü/Ü							
9	w/W	x/X	y/Y	z/Z								
0	.	,	?	!	0	+	-	:	;	_		
*												
#	#	*	&	()	@	\	/	<	=	>	%

4 Hardware Block Diagram



5 Programming of SETEL-D

To enter the programming mode of the SETEL-D you have to press the Enter Key  Then the first menu item will be shown on the display!

Parameter:
Change?

With backward, forward, Enter and F key 11 and F key 12 you can move inside the menus.

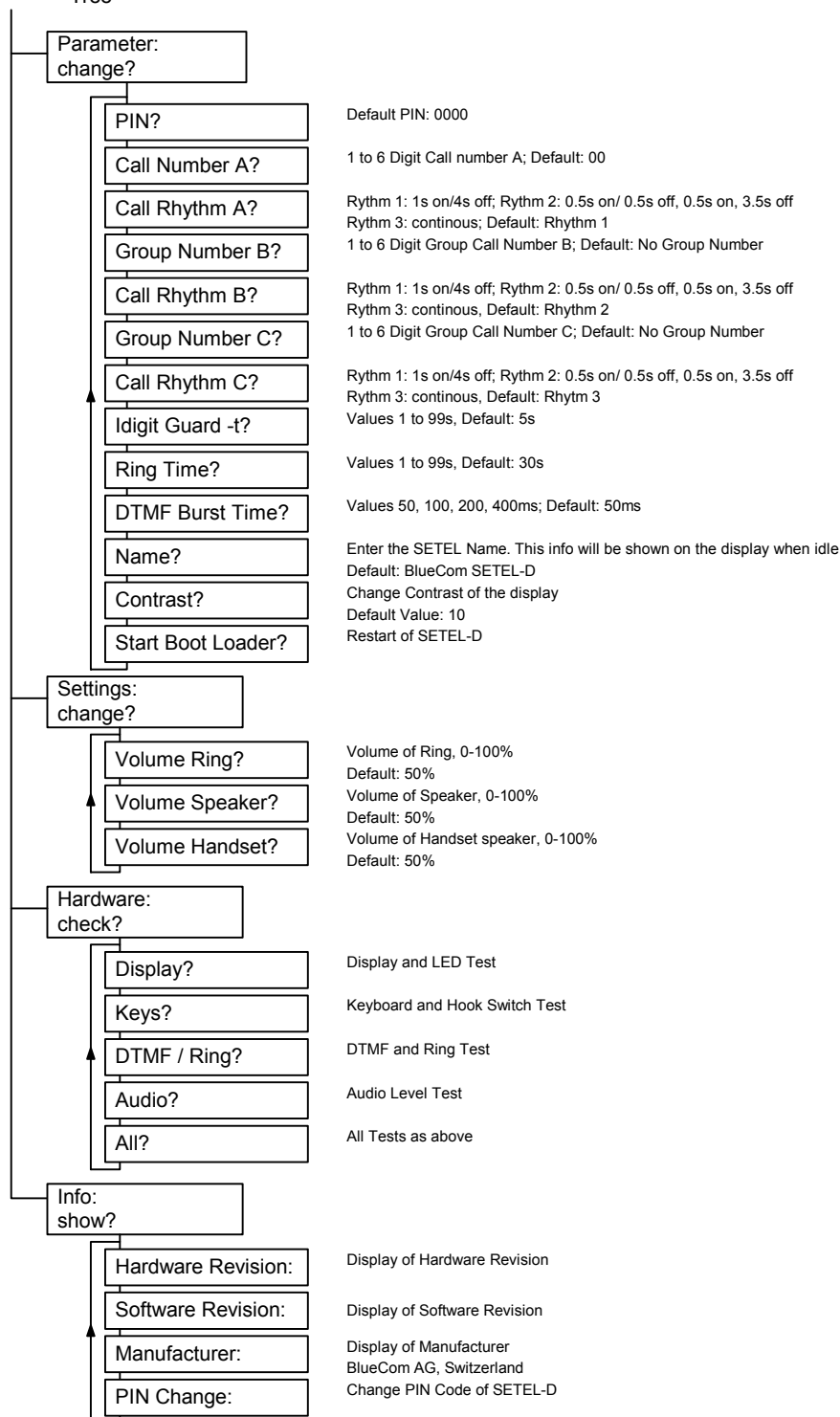
When the SETEL-D is in programming mode the Yellow LED on function key 11 and 12 are blinking.

The default PIN Code is: **0000**

Below you will find the explanations and structure of the full SETEL-D menu

5.1 Menu Structure

Programming Menu Tree



5.2 Programming of Function Keys

The function keys F1 to F24 can be pre programmed with speed dial numbers or special functions.

When the function key is pressed the first time then the display will show the following:

Line 1: Function key not programmed

Line 2:

By pressing “ok” a key can now be pre programmed with a speed dial number or special function.

Line 1: Function Key:

Line 2: change?

6 Installation

6.1 Scope of Supply

The SETEL-D unit will be delivered in a box with following items:

- 1.) SETEL-D body, including handset, display and keyboard
- 2.) Handset Cord
- 3.) RJ11 socket 6p/6p
- 4.) Connection cable RJ11/RJ11 6p/6p , length: 3m

Optional items:

To use the E&M wires and external bell of the SETEL-D the following items can be supplied:

- 1.) Connection cable RJ11/RJ11 6p/6p, length: 3m
- 2.) RJ11 socket 6p/6p.

6.2 Unpacking and Inspection

After Unpacking the SETEL-D, retain the carton and packing materials until the contents have been inspected and checked against packing list. If there is a shortage or any evidence of damage, do not attempt to use the SETEL-D. Contact the carrier and file a shipment damage claim. A full report of the damage should also be reported to BlueCom AG. The following information should be included in the report:

Order number

Equipment Model and Serial Numbers

Shipping Agency

Date of Shipment

The BlueCom Service Department can be reached by phone at ++41 44 748 08 25 and by Fax ++41 44 748 48 19. Upon receipt of this information BlueCom will arrange for repair or replacement of the equipment.

6.3 Installation Recommendations

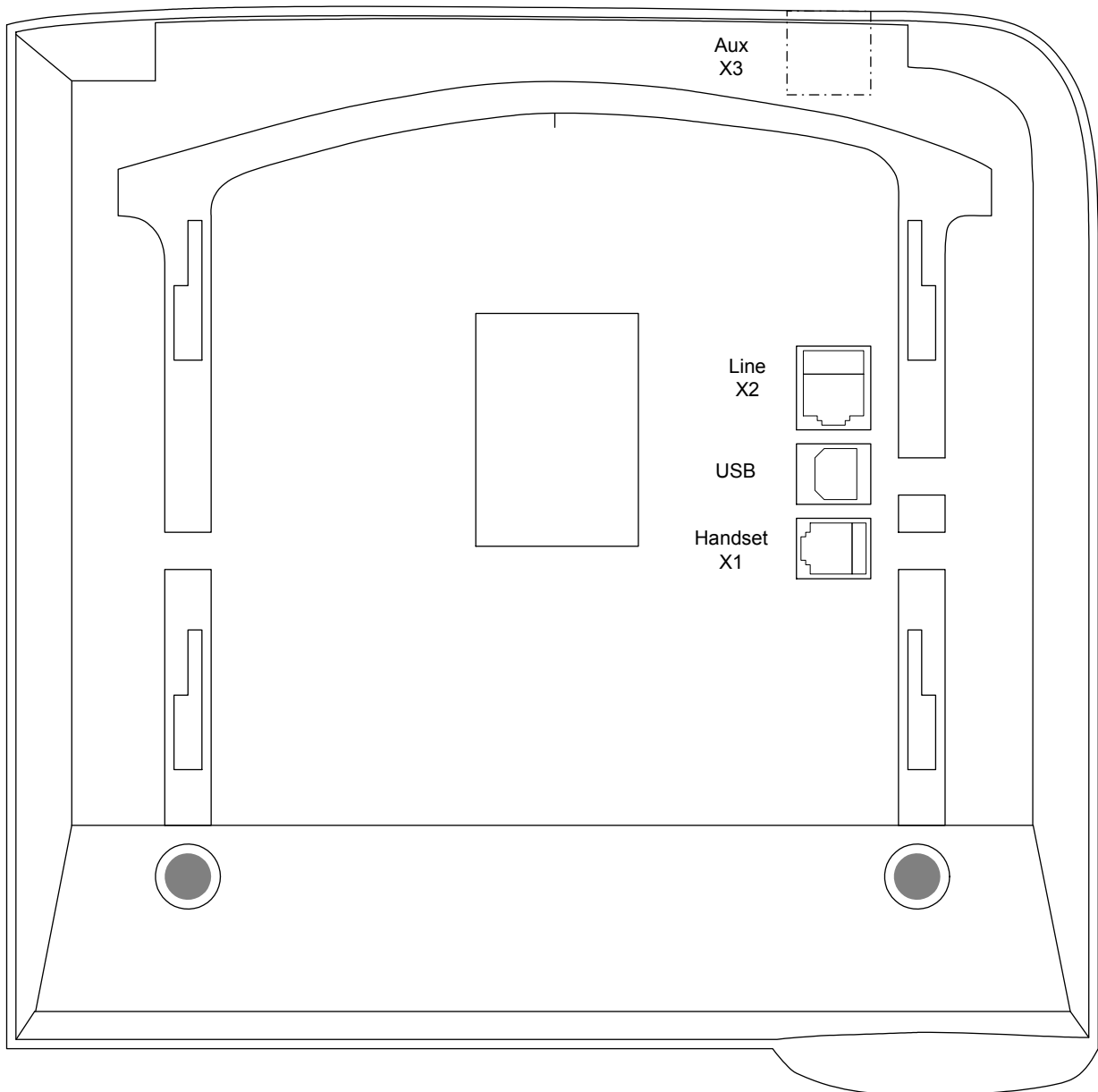
Careful attention to the following installation suggestions should result in the best unit/system performance.

The SETEL-D must be installed indoors. Direct sunlight to the SETEL-D shall be avoided. The ambient temperatures must be between 0 and 45 degrees C.

6.4 DC-Power Requirements

The SETEL will operate on a 48V DC power supply. The voltage may be in the range of 36 – 70V DC. If the input voltage exceeds 70V DC, it may result in damage of the equipment. Actual power consumption is less than 2W.

6.5 External Connections



X1 Microtel

The microtel is connected to the 4-pin plug X1 on the bottom side of the telephone set.

X2 Telephone connection (power supply / Line)

To connect the power supply and the four speech wires the 6-pin plug X2 on the bottom side is used.

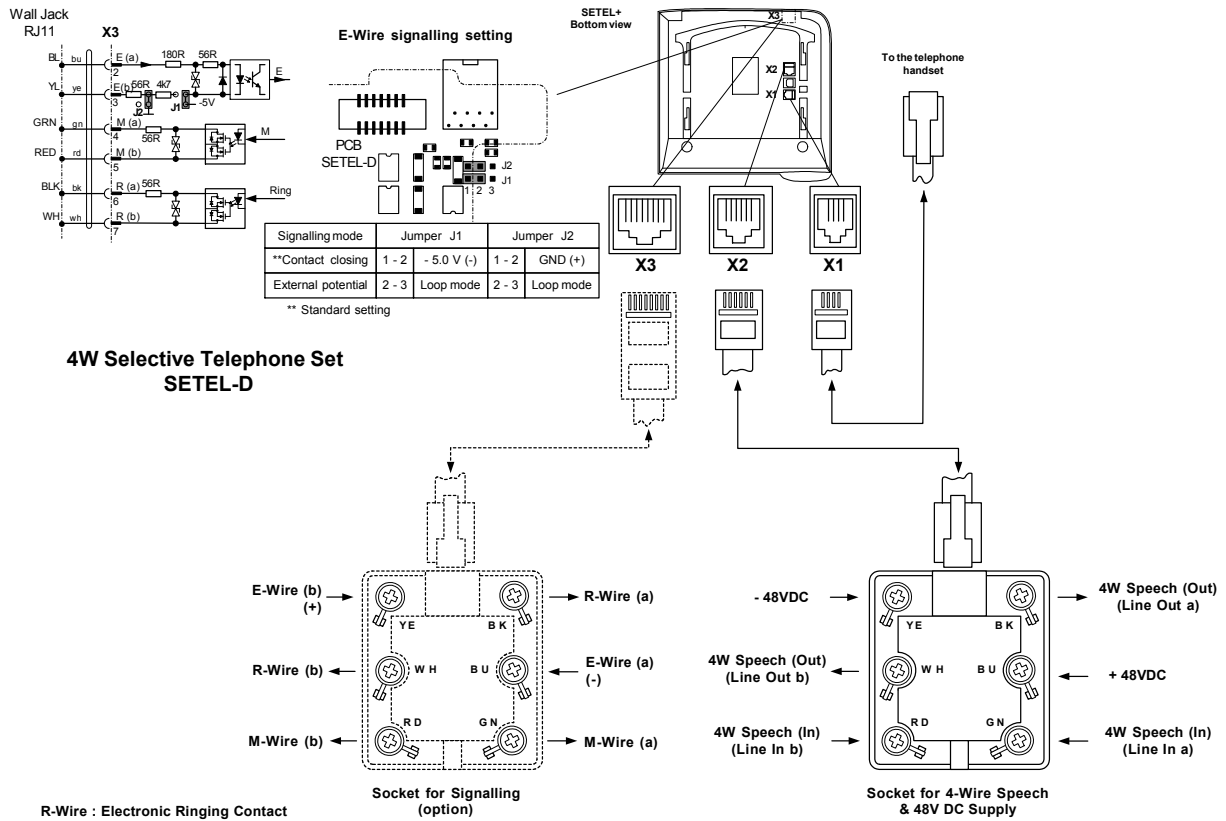
X3 Auxiliary signals (E & M / buzzer contact, connection optional)

The other 8-pin plug X3 on the bottom side can be used to connect the E & M signalling wires and a buzzer contact to switch an external buzzer.

USB Connector

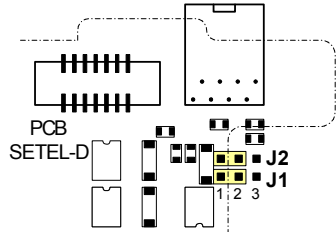
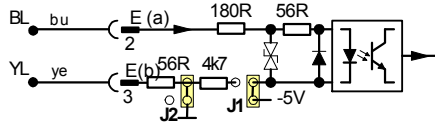
To connect the SETEL-D to a Computer or Laptop

6.6 Connection Diagram



6.7 Jumper Settings:

For the E-Wire there are two jumpers. The default setting can be taken from the diagram below. To change the jumpers the SETEL-D has to be opened.



Signalling mode	Jumper J1		Jumper J2	
**Contact closing	1 - 2	- 5.0 V (-)	1 - 2	GND (+)
External potential	2 - 3	Loop mode	2 - 3	Loop mode

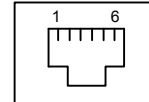
** Standard setting

Connector X1: Microtel

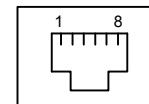
Pin	Name	Signal
1	Mic	Input for microphone
2	Ear Set	Output for speaker ear set
3	GND	Signal GND for speaker ear set
4	Mic GND	Microphone GND for ear set

Connector X2: Telephone connection (power supply / line)

Pin	Name	Signal
1	+48V DC	48V Power supply positive pole
2	-48V DC	48V Power supply negative pole
3	Line In (a)	4W-Audio in (a-wire)
4	Line In (b)	4W-Audio in (b-wire)
5	Line Out (a)	4W-Audio out (a-wire)
6	Line Out (b)	4W-Audio out (b-wire)

**Connector X3: Auxiliary signals (E & M / buzzer contact, connection optional)**

Pin	Name	Signal
1	Not used	Not used
2	E (a)	E-wire signalling input (+)
3	E (b)	E-signalling input (-)
4	M (a)	M-wire signalling contact
5	M (b)	M-wire signalling contact
6	R (a)	Ring wire contact
7	R (b)	Ring wire contact
8	Not used	Not used



7 Technical Data

Decoder:

DTMF-Decoder:	Call number	: 1 ... 6 digits (programmable)
	Group call number	: 1 ... 6 digits (programmable, 2 separate group calls are possible)
	Interdigit time	: 5 -99 s (programmable)

DTMF-Receiver:	Frequencies (Q23)	
	low group	: 697, 770, 852, 941 Hz
	high group	: 1209, 1336, 1477, 1633 Hz

Input levels:	
each tone minimum	: ≥ -27 dBm
each tone maximum	: $\leq +3$ dBm

Tone duration:	
must accept	: ≥ 40 ms
must reject	: ≤ 20 ms

DTMF-Sender:	Summated level	: -9 dBm
	Tone burst duration	: 50 ms
		50, 100, 200, 400 ms (programmable)

Telephone Interface:

AC-Level:	Speech input (a1, b1)	: -3.0 dBr, 600 Ω
	Speech output (a2, b2)	: -3.5 dBr, 600 Ω
	Echo attenuation	: > 20 dB
	Long. earth balance attn.	: > 55 dB

Ringback tone:	Level with 600 Ω termination	: -15 dBm, 425 Hz
-----------------------	-------------------------------------	-------------------

Ringring:	Type of ringing	: 1 / 4 sec, 0.5/0.5/0.5/3.5 sec or continuous (programmable)
	Ringback time	: 15, 30, 60 s or unlimited (programmable)

DC-Level:	Input E (Opto coupler)	: ≤ 70 V DC, ≥ 20 V DC, $R_{inp} = 5$ k Ω
	Output M (SS-Relay)	: ≤ 100 V DC, : ≤ 200 mA DC
	Output R (SS-Relay)	: ≤ 100 V DC, : ≤ 200 mA DC

General Specification:

Power Supply:	Input voltage	: 36 ... 70 V DC
	Max. input voltage ripple	: ≤ 1 V pp
	Input current	: ≤ 50 mA
Ambient cond.:	Operating range	: 0 °C ... 45 °C
	Transportation and storage	: -20 °C ... 55 °C
	Humidity (non condensing)	: ≤ 90 %
Mechanical:	Dimensions	: 235 x 225 x 110 mm
	Weight	: 1100 g
	Colour	: black
	Mounting	: Desk or wall mounting
	LCD-Display	: 2 lines by 24 characters
Connections:	Telephone connection	: 6-pin cable (3 m long) with RJ12 plug and wall mounting jack
	Buzzer contact / E&M (optional)	: 6-pin cable (3 m long) with RJ12 plug and wall mounting jack