

SETEL-D

4-Wire Selective Telephone Set

Description

The selective party line telephone set SETEL-D, with integrated decoder, is used in classical party line networks and as a service telephone in SDH/PDH communication networks. The SETEL-D is compatible with the SETEL and existing ABB party line telephone systems.

SETEL-D combines the functions of a 4-wire telephone set and a DTMF decoder. When used together with the 4-way bridging amplifier (J3KA), a complete party line telephone system can be built.

The programmed data is stored in an internal EEPROM. All functions can be programmed with the aid of the dialling key pad and the built-in 24 character by 2 line LC-Display. It also has 2 x 12 DSS keys for speed dialling.

The SETEL-D has three main operational modes:

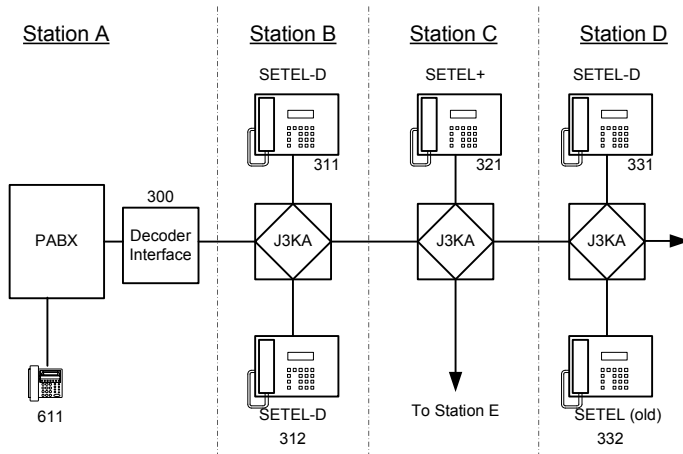
Mode 1: Standard 4W party line telephone set with DTMF Decoder

Mode 2: Connection to a 4W E&M Interface in a PABX

Mode 3: 4W-Telephone without DTMF Decoder (MUTEL Mode)

Typical Application

Party Line Telephone System



4-WIRE TELEPHONE SET
SETEL-D

Ordering Information

Description		Order No.
4-wire selective telephone set SETEL-D		BCTS1047
External call buzzer		BCTS1045-1
100-250V AC to 48V DC Power Supply	SETEL-D.AC/DC	BCTS1047-2



Telecommunications

For further information please
contact:

BlueCom AG
Giessenstrasse 15
CH-8953 Dietikon
Tel.: +41 44 748 48 18
Fax: +41 44 748 48 19
E-mail: sales@bluecom.ch
www.bluecom.ch

Technical Data

Programmable Functions

The following parameters can be programmed using the dialling key pad and LCD-Display

Call number	: 1 ... 6 digits
Group call number	: 1 ... 6 digits (2 separate group calls are possible)
Type of ringing	: 1 / 4 seconds, 0.5/0.5/0.5/3.5 seconds or continuous ringing
Inter-digit time	: 5 or 10 seconds
Ringback time	: 15, 30, 60 seconds or unlimited
Operating Mode	: Party Line, PABX or MUTE Mode
E & M signalling	: E & M in PABX mode only
Dialling format	: DTMF dialling
Ring Tone	: The volume of the ring tones can be adjusted
Handsfree	: Loudspeaker and Mic. is available on the SETEL-D
Test Mode	: In this mode the SETEL-D can be tested
Password	: The programming is password protected

DTMF Decoder

Call number	: 1 ... 6 digits
Group call number	: 1 ... 6 digits, 2 separate group calls are possible
Interdigit time	: 5-99s

DTMF Receiver

Frequencies (Q23)	
low group (Hz)	: 697, 770, 852, 941
high group (Hz)	: 1209, 1336, 1477, 1633
Frequency tolerance:	
must accept	: <1.5 %, 2Hz
must reject	: >3.5 %
Input levels:	
each tone minimum	: > - 27dBm
each tone maximum	: < + 3dBm
Tone duration:	
must accept	: > 40ms
must reject	: < 20ms

DTMF Sender

Summated level	: - 9.0dBm
----------------	------------

AC-Levels

Speech input (a,b)	: -3.0dB _r , 600Ohm
Speech output (a,b)	: -3.5dB _r , 600Ohm
Ringback tone	: -15dBm, 425Hz
Ringback time	: 15, 30, 60s or unlimited

Ringling

Type of ringing	: 1 / 4 sec., 0.5/0.5/0.5/3.5s or continuous
-----------------	--

DC-Level

Input E (Opto coupler)	: with Jumpers GND to -5V, or Open Loop V _{max} :70VDC
Output M (Potential free contact)	: MOSFET, Ron: <100Ohm, I _{max} :100mA, V _{max} :<100V
Output R (Potential free contact)	: MOSFET, Ron: <100Ohm, I _{max} :100mA, V _{max} :<100V

Power Supply

Input voltage	: 36 ... 75V
Maximum input voltage ripple	: < 1V _{pp}
Input current	: < 50mA

Ambient conditions

Operating range	: 0 °C ... 50°C
Transportation and storage	: -20 °C ... 55°C
Humidity (non condensing)	: <90 %

Mechanical

Dimensions	: 235 x 225 x 110 mm
Weight	: 1100g
Colour	: black
Mounting	: desk or wall mounting

Scope of Supply

4W Telephone Set SETEL-D
Wall Jack RJ12 (6p/6p)
Connecting cable 3m RJ12-RJ12 (6p/6p)



Additional Call Buzzer

BCTS1047.DS.E1 07/15

Printed in Switzerland

Due to continuous product improvements this specification is subject to change without notice


Telecommunications

For further information please contact:

BlueCom AG
Giessenstrasse 15
CH-8953 Dietikon
Tel.: +41 44 748 48 18
Fax: +41 44 748 48 19
E-mail: sales@bluecom.ch
Internet: <http://www.bluecom.ch>