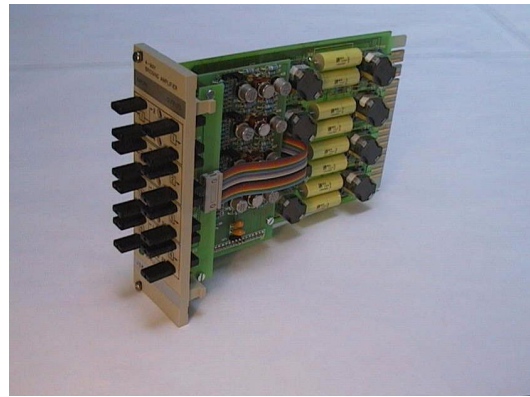


J3KA



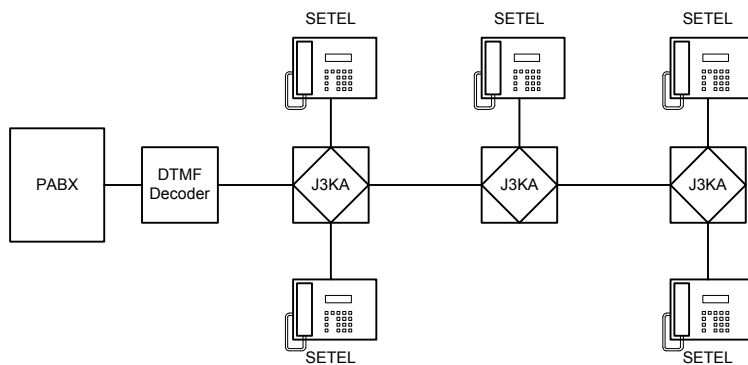
4-WAY BRIDGING AMPLIFIER J3KA

The bridging amplifier module J3KA serves as a combining unit for four 4-wire audio circuits with a frequency range from 300 ... 3400 Hz. It is well suited for speech/tone as well as data transfer applications over long distance. In combination with SETEL, a party line telephone system can be constructed easily. Signals applied to an input are passed to all remaining outputs except its own. By means of

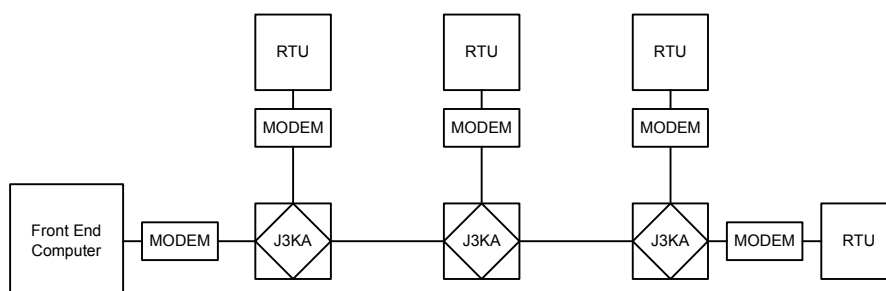
twelve potentiometers and four jumpers (6 dB / 18 dB / 30 dB) the gain of any of these input to output paths can be adjusted individually. Inputs and outputs are provided with interruptible test jacks. Operation is from an unregulated DC-supply of either 24 or 48V DC. Every J3KA needs its own IF-cable V9CT and up to eight J3KA can be mounted in the 19" rack R7AH.

Typical J3KA Applications

a.) Party Line Telephone System



b.) Data Party Line System



Technical Data

Amplifiers

Gain ranges:

low	:	... + 6 dB
medium	:	+ 6 ... +18 dB
high	:	+18 ... +30 dB

Frequency response:

Ref. 800 Hz, 0 dB gain, +16 dBm out	:	± 1 dB / 300 ... 3400 Hz
-------------------------------------	---	-----------------------------

Harmonic distortion:

400 Hz, 0 dB gain, +16 dBm out	:	≤ 0.5 %
--------------------------------	---	---------

Output noise:

300 ... 3400 Hz, 0 dB gain	:	≤ -70 dBm
----------------------------	---	-----------

Crosstalk:

300 ... 3400 Hz, 0 dB gain, 0 dBm out	:	-65 dB, input 1 to output 1
	:	-65 dB, input 2 to output 2
	:	-65 dB, input 3 to output 3
	:	-65 dB, input 4 to output 4

4-wire side

AC-Level:

Input (a, b)	:	-3.5 dBr, 600 Ω, balanced
Output (a, b)	:	-3.5 dBr, 600 Ω, balanced
Return loss input	:	≥ 14 dB / 300 ... 3400 Hz
Return loss output	:	≥ 14 dB / 300 ... 3400 Hz
Maximum input level	:	+16 dBm
Maximum output level	48 V DC	≥ +16 dBm
	24 V DC	≥ +10 dBm

DC:

Insulating strength	:	500 V DC, 10 sec, against earth
Type of coupling	:	Transformer, DC decoupling between a and b wire

Programming

The following functions can be defined by internal jumpers:

- Supply voltage range	:	24 or 48 V DC
- Gain range	:	Low (...6 dB), medium (+6...+18 dB), high (+18...+30 dB)

General specifications

Power supply:

Input voltage	48 V DC	: 40 ... 60 V DC
Input voltage	24 V DC	: 20 ... 30 V DC
Maximum input voltage ripple	:	2 V _{pp}
Input current	:	≤ 80 mA

Ambient conditions:

Operating range	:	0 °C ... 70 °C
Humidity (non condensing)	:	≤ 90 %

Mechanical, 19" Rack:

Dimensions (w x h x d)	:	483 x 155 x 225 mm (3.5 ASA units height)
Weight	:	2100 g
Mounting	:	19" cabinet

Mechanical, Module:

Dimensions (w x h x d)	:	50 x 146 x 180 mm
Weight	Amplifier J3KA	: 800 g
	IF-cable V9CT	: 750 g

Connections:

4 x 4-wire input , 4 x 4-wire output: 20 pin terminal block
Power Supply

For further information please contact:

BlueCom AG

Telecommunications
CH-8953 Dietikon
Switzerland
Tel: +41 44 748 48 18
Fax: +41 44 748 48 19
E-mail: sales@bluecom.ch
Internet: <http://www.bluecom.ch>