

PARTY LINE TELEPHONE SYSTEM PLTS

Description

A party line telephone system (PLTS) is a telephone system with permanently connected subscribers and featuring selective calling. It is especially suited for small private telephone systems with relatively few subscribers and low traffic density. However, more and more large electric utilities favour a separation of their operational and administrative telephone system and use a party line system for their operational needs.

The system make use of standard in-band touch tone signalling tones (DTMF) for selective calling. Furthermore, all connections throughout the system are on a 4-wire basis up to the telephone microphones and receivers. These features, when combined provide the following advantages.

- Echo free reception at good levels
- Fast signalling
- Easy expandability requiring no changes in the existing installation
- Solid state plug-in type modules provide for good maintainability
- Ease of establishing multi-party conference calls by simply dialling several numbers in sequence
- Design flexibility. The system modularity allows adaptation to almost any customers requirements.
- Low capital outlay

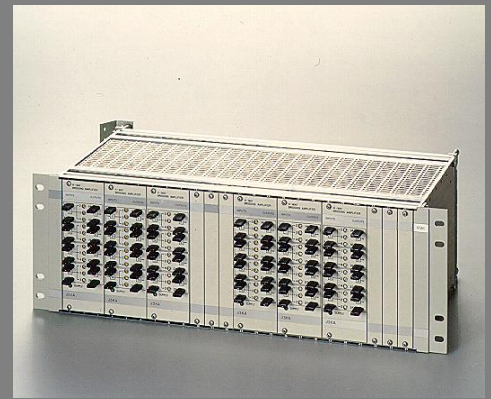
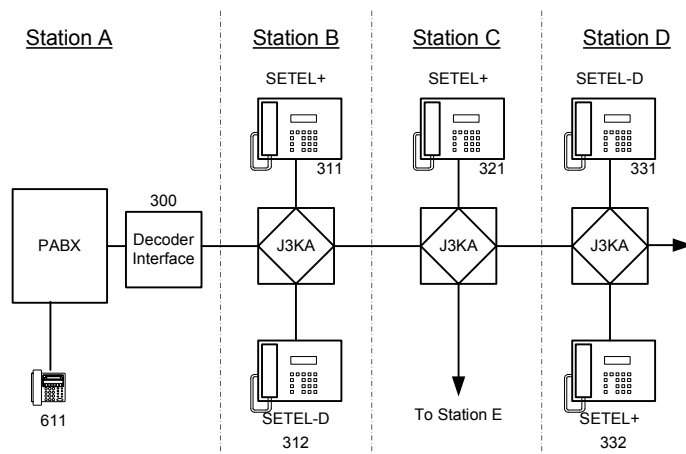
The system consist of a 19" rack R7AH where bridging amplifiers type J3KA can be installed. As a 4W telephone set a SETEL-D can be connected to the bridging amplifiers. The SETEL-D is a 4-wire telephone with a selective DTMF number decoder.

The bridging amplifier module J3KA serves as a combining unit for four 4 wire audio circuits. It is well suited for speech as well as voice data party line applications.

Signals applied to an input of the J3KA are passed to all remaining outputs except its own. By means of twelve potentiometers and four jumpers (6 dB / 18 dB / 30 dB) the gain of any of these input to output paths can be adjusted individually. Inputs and outputs are provided with interruptible test jacks. Operation is from an unregulated DC supply of either 24 or 48V DC. Every J3KA needs its own IF-cable V9CT and up to eight J3KA can be mounted in the 19" rack R7AH.

Typical Application

Party Line Telephone System



PLTS RACK



4-WIRE SETEL-D
TELEPHONE

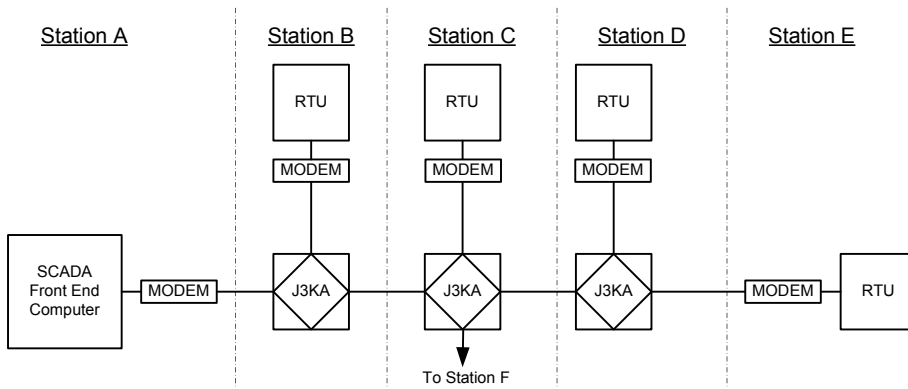


Telecommunications

For further information please contact:

BlueCom AG
Giessenstrasse 15
CH-8953 Dietikon
Tel.: +41 44 748 48 18
Fax: +41 44 748 48 19
E-mail: sales@bluecom.ch
Internet: <http://www.bluecom.ch>

Data Party Line System



Technical Data

Bridging Amplifier J3KA

4W Inputs

Impedance: 600W, balanced
 Return Loss: >14dB
 Max. Input Level: +16dBm

Gain Range

Low: >6 dB
 Medium: >18dB
 High: >30dB

4W Outputs

Impedance: 600W, balanced
 Return Loss: >14dB
 Max. Output Level: +16dBm on 48V DC
 +10dBm on 24V DC

Frequency Response

800Hz, 0dB gain,
 +16dBm output level ±1dB, 300Hz...3400Hz

Harmonic Distortion

400Hz, 0dB gain,
 +16dBm output level < 0.5%

Output Noise

300...3400Hz, 0dB gain < -70dBm

Cross Talk

300...3400Hz, 0dB gain,
 0dBm output level -65dB (input to own output)

Power supply

Input Voltage 48V DC 40...60V DC
 Input Voltage 24V DC 20...30V DC
 Max. Input Voltage Ripple 2V_{pp}
 Input Current <80mA / amplifier J3KA

Ambient Conditions

Operating Temperature Range 0 °C ... 55 °C
 Humidity (non condensing) <90%

Mechanical

Dimensions (w x h x d): 19" rack, 483 x 155 x 225mm (3.5 ASA units height)
 Weight: 2.1kg
 Mounting: Can be installed in a 19" cabinet
 Amplifier J3KA (w x h x d): 50 x 146 x 180mm (max. 8 J3KA per rack)

Connection Cable

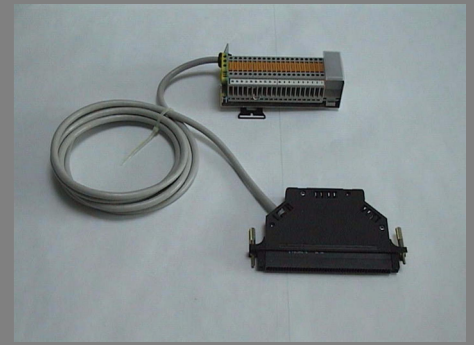
V9CT: 20 screw type terminals on a metal block
 for mounting on a DIN rail

SETEL-D

For technical data on the 4-wire selective telephone set SETEL-D please consult the Datasheet BCTS1046.DS

Ordering Information

Description	Order No.
19" rack with one bridging amplifier J3KA and cable V9CT	BCTS1010
Bridging amplifier J3KA	BCPT20KA
Cable V9CT for J3KA	BCPT30KA
4-Wire selective telephone set SETEL-D	BCTS1047



Cable V9CT

BCTS1010.DS.E2 09/08

Printed in Switzerland

Due to continuous product improvements this specification is subject to change without notice



Telecommunications

For further information please contact:

BlueCom AG
 Giessenstrasse 15
 CH-8954 Dietikon
 Tel.: +41 44 748 48 18
 Fax: +41 44 748 48 19
 E-mail: sales@bluecom.ch
 Internet: http://www.bluecom.ch